



**UNITS SERVICE
PARTS LIST**

Up - Date _____

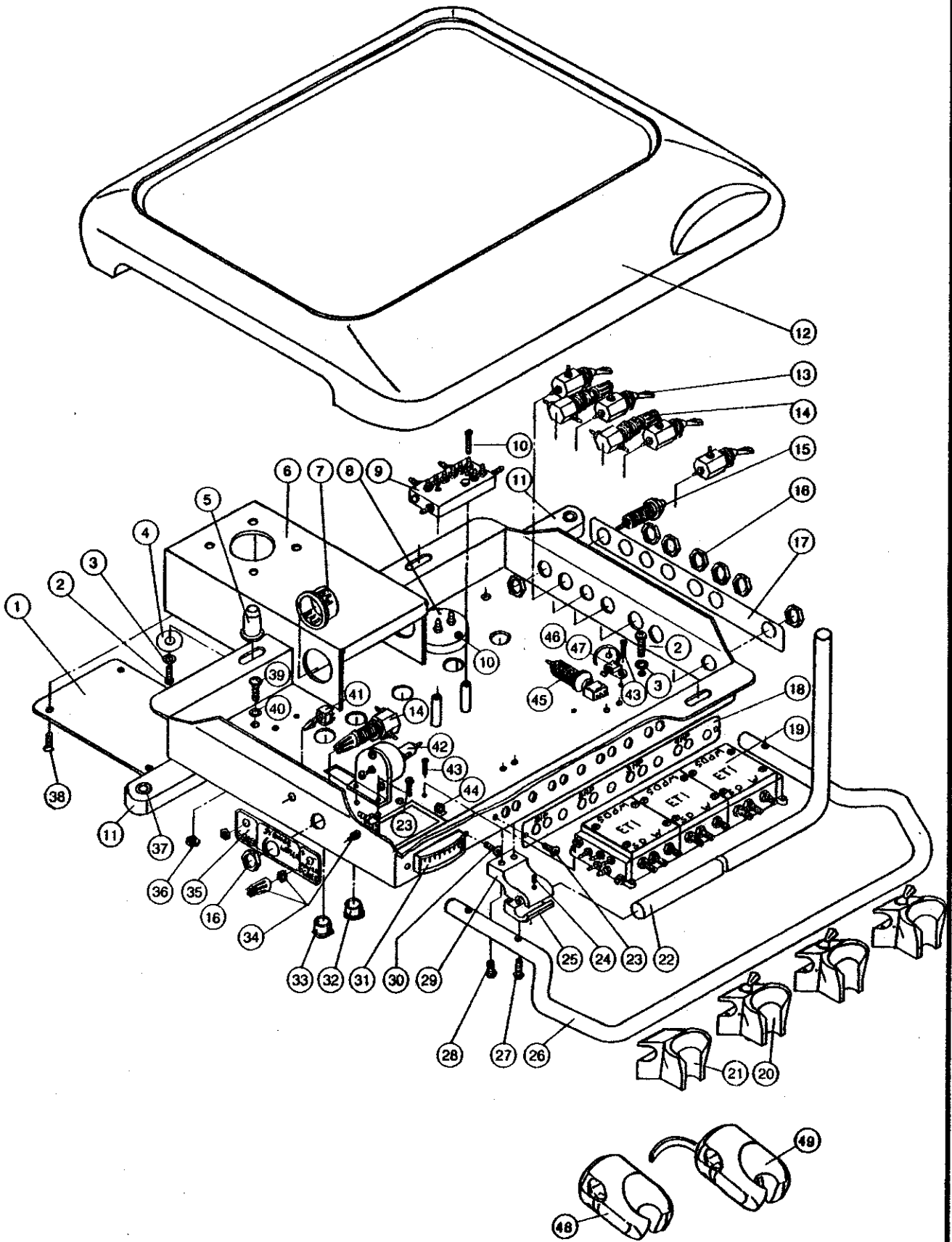
ETI **DENTAL INDUSTRIES LTD.**
New Tel For Factory and show Room 972-3-5799760, 972-3-5799759
16, HAKISHON Bney-Brak ISRAEL
Mail Address P.O.BOX: 1400 Bney-Brak 51114 Israel.
FAX. No. 972-3-5799758

SERVICE PARTS CODES	14
UNIT CONTROL HEADS	15
ARM SYSTEMS	16
TRAYS	17
CONTROL BLOCK ASSEMBLY	18
HANDPIECE HOLDERS , SUPERTEK WHIP ASSEMBLY	19
TOGGLE VALVE , NEEDLE VALVE	20
WATER RELAY	21
AIR ACTIVATED ELECTRIC SWITCH	22
AIR INDICATOR LIGHT	23
FOOT CONTROLS	24
CONNECTION BOX AND COMPONENTS	25
X - RAY VIEWERS	26
SCHEMES	27

ST 4603 UNIT PANDA PORCELAIN 3 HP.

15

15



ST 4603 UNIT PANDA PORCELAIN 3 HP.

(Continued)

15

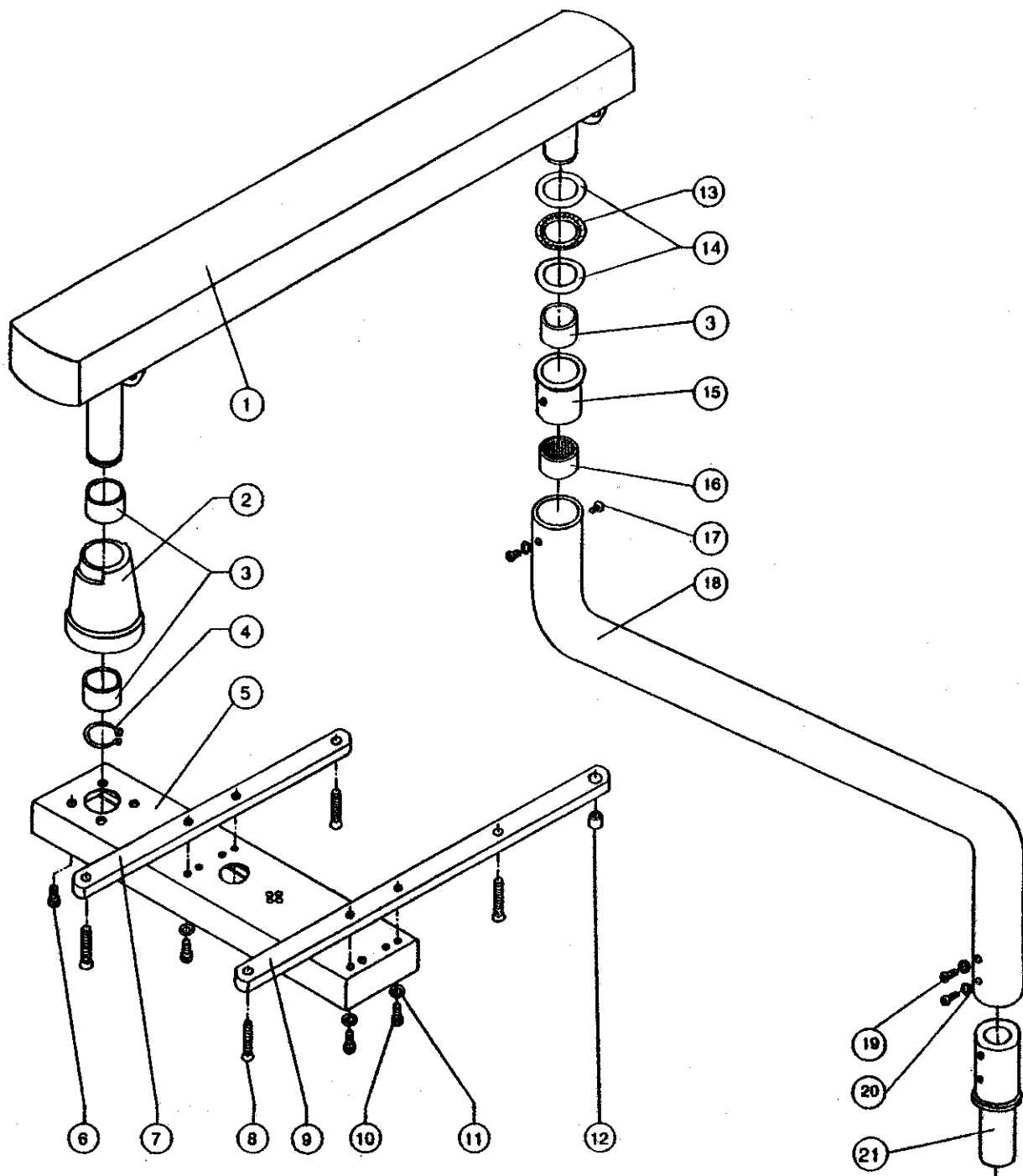
15

REF. NO.	DESCRIPTION	PART NO.	QTY.	CODE
1	Lower plate	UN 0840	1	9
2	Screw 8 - 32 x 1/2	19066	8	4
3	Washer # 8 x 9.5, SST	96306	8	4
4	Washer 1/4 x 21 x 1.5	06211	4	4
5	Plastic pin	UN 0060	4	9
6	Base plate	UN 0020	1	9
7	Bushing snap	HE 2166	2	2
8	Exhaust system	UN 0100	1	9
9	Connector assembly	UN 0180	1	9
10	Screw 6 - 32 x 5/8	19047	4	4
11	Arm - holder	UN 0080	2	9
12	Porcelain cover, normal	UN 0900	1	4
13	Toggle valve 3 - way - Black Gray	DC 7015 DC 7016	4	4
14	Needle valve	UN 0200	3	4
15	Air indicator light	UN 0300	1	9
16	Nut 1/2 UNEF	CU 0700	7	4
17	Right panel	UN 0620	1	9
18	Facepanel	UN 0640	1	9
19	Control block assembly, 3 HP	UN 0401	1	9
20	Automatic handpiece holder assembly - Black Gray	DC 5940 DC 5960	3	4
21	Standard holder assembly - Black Gray	DC 5945 DC 5965	1	9
22	Easy control panel holder	UN 0600	1	9
23	Screw 6 - 32 x 1/4, SST	57310	4	4
24	Screw 6 - 32 x 3/16, SST	59021	2	4
25	Plastic holder, lower part	UN 0680	2	9
26	Holder bar	UN 0703	1	9
27	Screw 8 - 32 x 1/2	19066	4	4
28	Screw 8 - 32 x 3/8	19064	4	4
29	Plastic holder, upper part	UN 0660	2	9
30	Screw 6 - 32 x 3/8, SST	57312	2	4
31	Rectangular pressure gauge, 60 PSI	DC 7270	1	4
32	Bushing snap	HE 2070	3	2
33	Bushing universal	HE 2077	2	2
34	Potentiometer for scaler 4.7 kΩ	SA 010	1	4
35	Left panel	UN 0720	1	9
36	Nut 10 - 24	70214	4	4
37	Sleeve bearing 1/4 x 7/16 x 3/8	B47-3	2	4
38	Screw 6 - 32 x 3/8	18244	4	4
39	Screw 10 - 24 x 5/8, SST	P05016	4	4
40	Washer # 10 x 11, SST	96308	4	4
41	Toggle switch for scaler	KA 5646	1	4
42	Water relay	UN 0740	1	3
43	Screw 4 - 40 x 3/8	19024	5	4
44	Nut 6 - 32	8086	2	4
45	Air activated electric switch	UN 0860	1	4
46	Cable ties. Nylon natural Nylon black	PAN 01 PAN 02	1	4
47	Mounting platform	PAN 03	1	4
48	Holder for syringe, molded, gray	DC 4566	1	4
49	Holder HP, automatic, molded, gray	DC 4561	3	4

AR 1900 PANDA STANDARD ARM SYSTEM

16

16



AR 1900 PANDA STANDARD ARM SYSTEM**(Continued)**

16

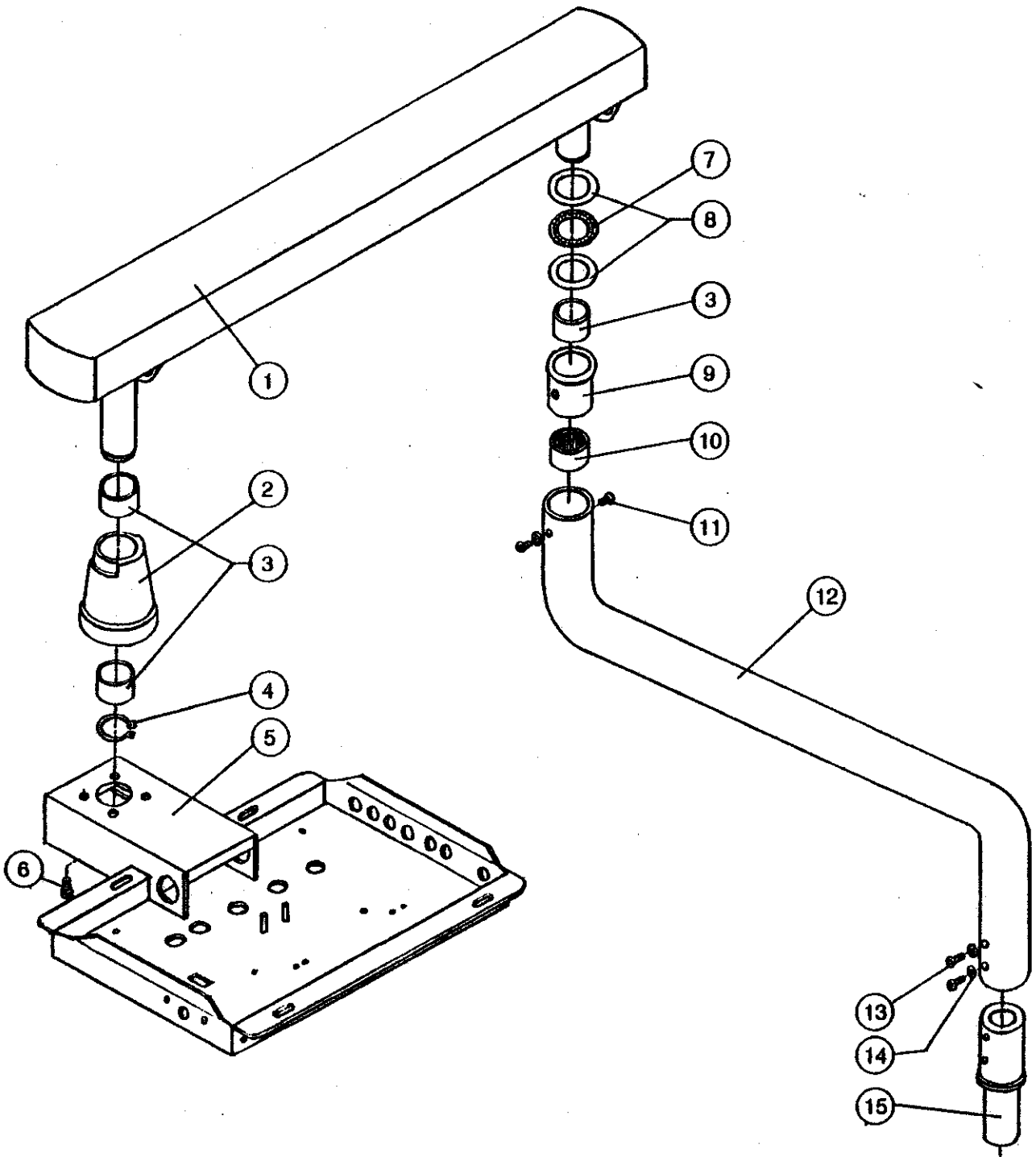
16

REF. NO.	DESCRIPTION	PART NO.	QTY.	CODE
1	Pneumatic arm	AR 1001	1	9
2	Arm support	AR 1420	1	9
3	Sleeve bearing 1.2535x1.3775x.735	B 63257	3	4
4	Retaining ring 1.156 ID	WT 1001	1	4
5	Arm for tray PANDA Standard	AR 1440	1	9
6	Screw 1/4 - 20 x 3/8	56052	4	4
7	Rod short	AR 1460	1	9
8	Screw 1/4 - 20 x 1-3/4	2213	4	4
9	Rod long	AR 1480	1	9
10	Screw 10 - 24 x 1/2	56041	4	4
11	Washer # 10 x 11	1410	4	4
12	Sleeve bearing 1/4 x 7/16 x 3/8	B47-3	1	4
13	Thrust needle bearing	IN TC20	1	4
14	Washer, thrust, bearing	IN TWC2	2	4
15	Bushing for rigid arm	AR 1540	1	9
16	Needle roller bearing	IN SCE2	1	4
17	Screw 10 - 24 x 1/4	S 05006	2	4
18	Rigid arm	AR 1500	1	9
19	Screw 10 - 24 x 3/8	S 05009	2	4
20	Washer M 5 x 9	519301	4	4
21	Connection pin	AR 1560	1	9

AR 2000 PANDA PORCELAIN ARM SYSTEM

16

16



AR 2000 PANDA PORCELAIN ARM SYSTEM
(Continued)

16

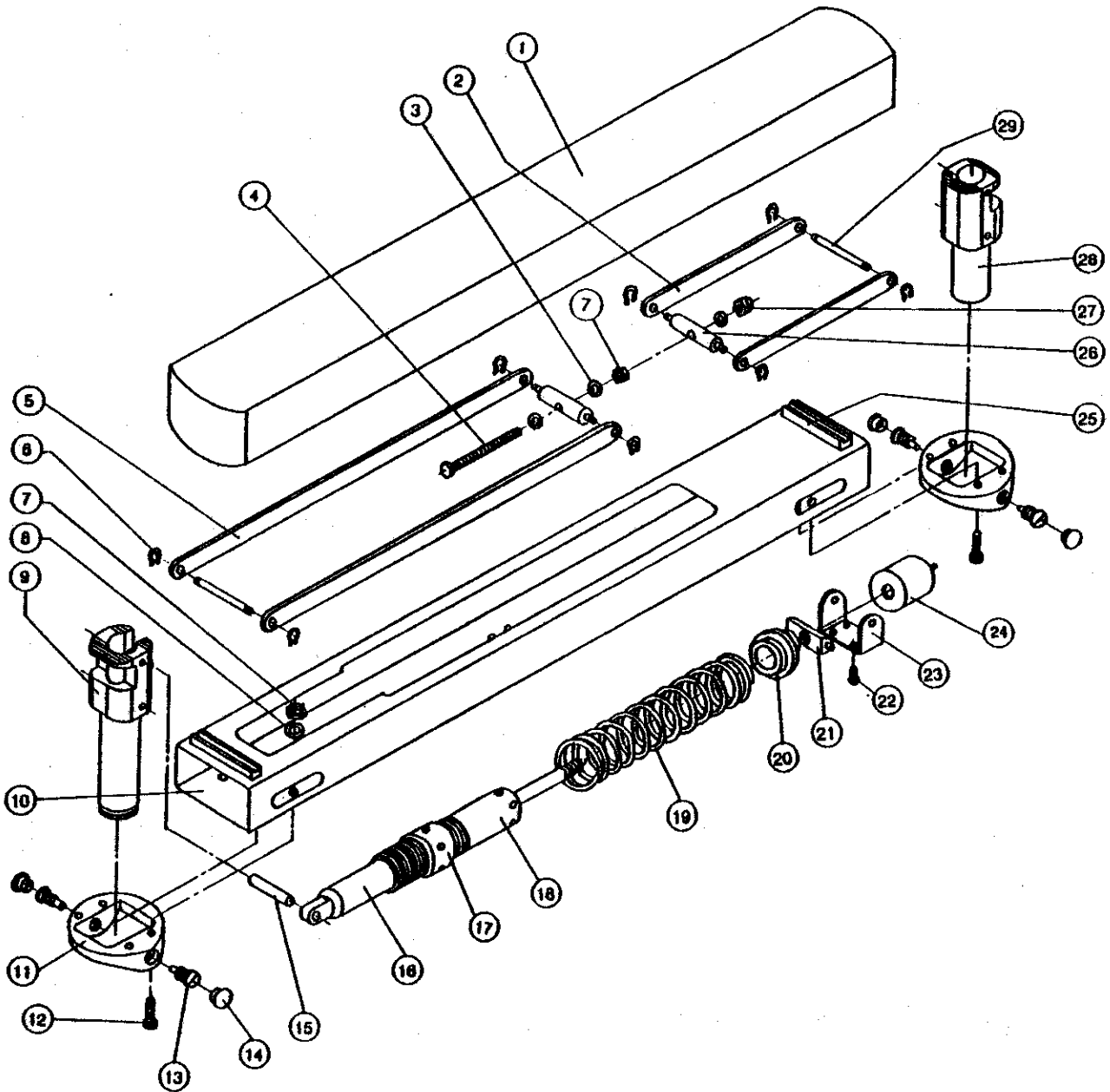
16

REF. NO.	DESCRIPTION	PART NO.	QTY.	CODE
1	Pneumatic arm	AR 1001	1	9
2	Arm support	AR 1420	1	9
3	Sleeve bearing 1.2535x1.3775x .735	B 63257	3	4
4	Retaining ring 1.156 ID	WT 1001	1	4
5	Base plate for PANDA Porcelain	UN 0020	1	9
6	Screw 1/4 - 20 x 3/8	56052	4	4
7	Thrust needle bearing	IN TC20	1	4
8	Washer, thrust, bearing	IN TWC2	2	4
9	Bushing for rigid arm	AR 1540	1	9
10	Needle roller bearing	IN SCE2	1	4
11	Screw 10 - 24 x 1/4	S 05006	2	4
12	Rigid arm	AR 1500	1	9
13	Screw 10 - 24 x 3/8	S 05009	2	4
14	Washer M 5 x 9	519301	4	4
15	Connection pin	AR 1560	1	9

AR 1001 PNEUMATIC ARM ASSEMBLY ONLY

16

16



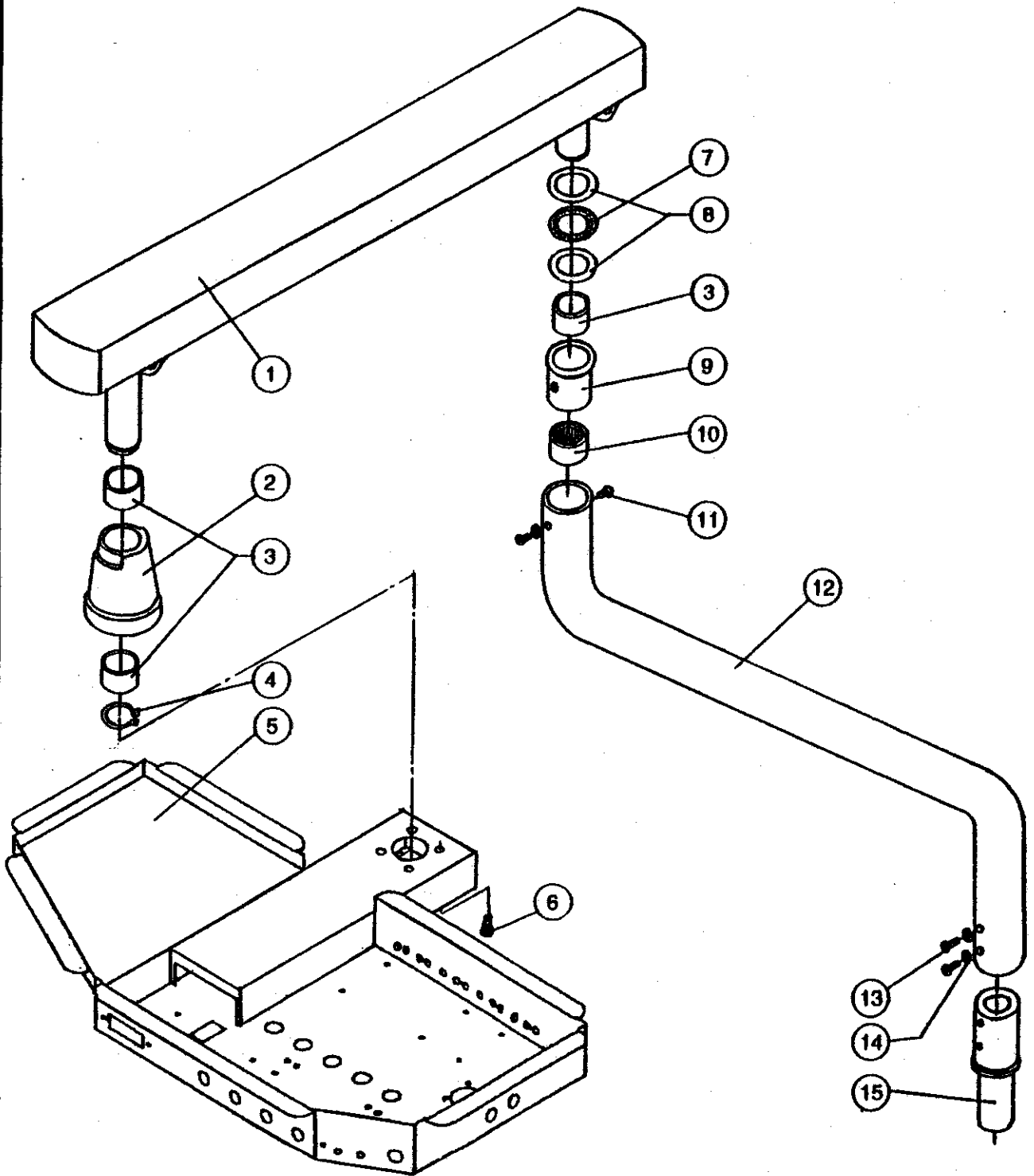
AR 1001 PNEUMATIC ARM ASSEMBLY ONLY**(Continued)**

REF. NO.	DESCRIPTION	PART NO.	QTY.	CODE
1	Pneumatic arm cover	AR 1041	1	9
2	Short parallelogram	AR 1141	2	9
3	Washer 1/4" x 16	00 6005	3	4
4	Screw 1/4 - 20 x 2-3/4	12298	1	4
5	Long parallelogram	AR 1161	2	9
6	Retaining ring ,external 1/4 ID	WT 5100	8	4
7	Nut 1/4 - 20 UNC	8014	9	4
8	Spring lockwasher 1/4	98220	8	4
9	Long knuckle for pneumatic arm	AR 1061	1	9
10	Pneumatic arm housing	AR 1021	1	9
11	Balancer	AR 1101	2	9
12	Screw 1/4 - 20 x 3/8	56050	8	4
13	Pivot pin	AR 1121	4	4
14	Dome plug 0.656 Dia., Black	HE 2653	4	2
15	Gas piston pin	AR 1241	1	9
16	Gas piston	RA 0516	1	3
17	Locknut round	AR 1261	1	9
18	Spring guide holder	AR 1281	1	9
19	Spring	AR 1301	1	9
20	Spring holder , short	AR 1321	1	9
21	Pin	AR 1341	1	9
22	Screw 10 - 32 x 3/8	57332	4	4
23	Piston holder	AR 1361	1	9
24	Piston - spring activator	AR 1381	1	9
25	Stoper	AR 1401	2	9
26	Joint pin	AR 1181	2	9
27	Elastic stop nut 1/4 - 20	78050	1	4
28	Short knuckle for pneumatic arm	AR 1081	1	9
29	Parallelogram pin	AR 1201	2	9

AR 2100 GALAXY ARM SYSTEM

16

16



AR 2100 GALAXY ARM SYSTEM**(Continued)**

16

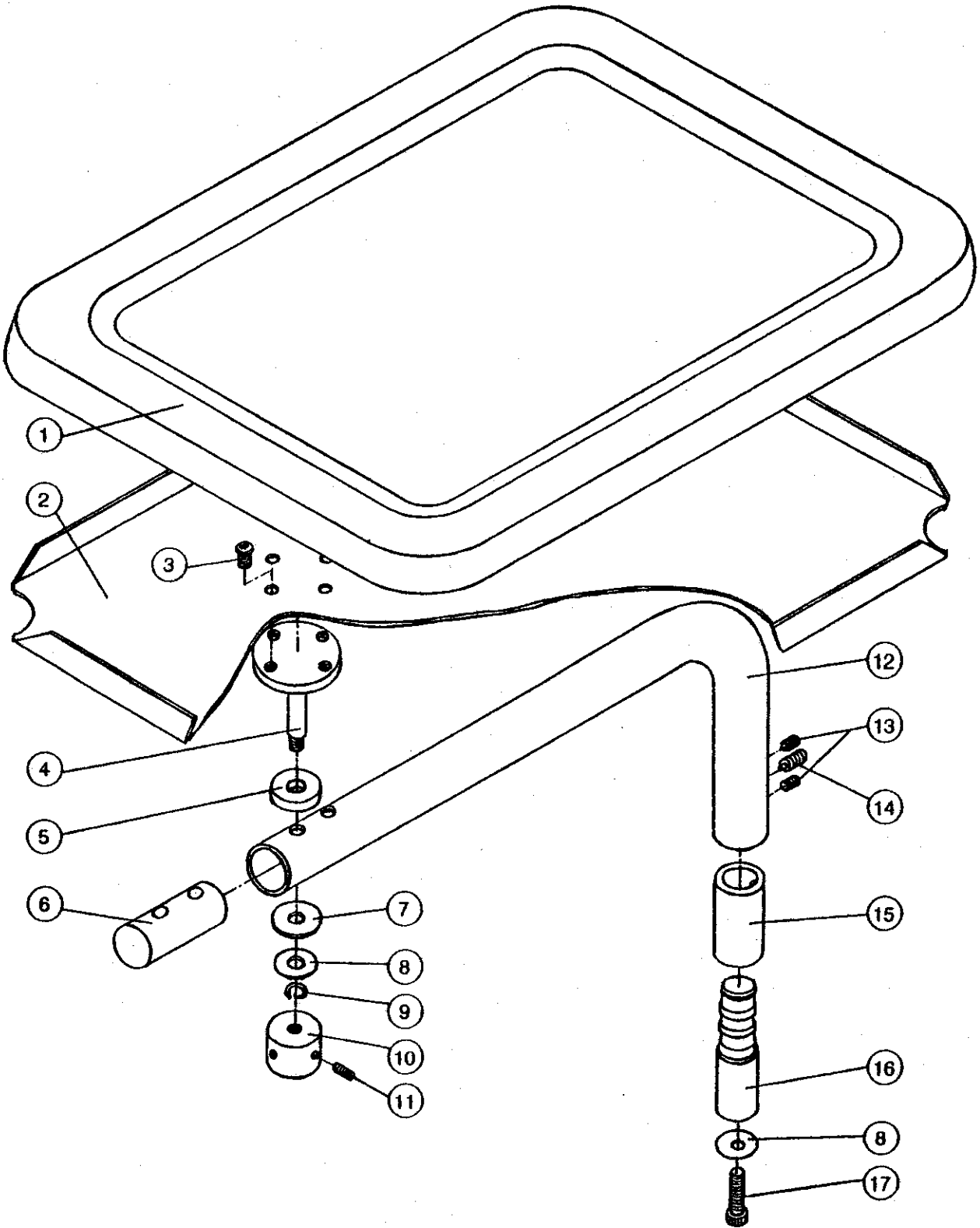
16

REF. NO.	DESCRIPTION	PART NO.	QTY.	CODE
1	Pneumatic arm	AR 1001	1	9
2	Arm support	AR 1420	1	9
3	Sleeve bearing 1.2535x1.3775x.735	B 63257	3	4
4	Retaining ring 1.156 ID	WT 1001	1	4
5	Base plate for GALAXY	UN 5020	1	9
6	Screw 1/4 - 20 x 3/8	56052	4	4
7	Thrust needle bearing	IN TC20	1	4
8	Washer, thrust, bearing	IN TWC2	2	4
9	Bushing for rigid arm	AR 1540	1	9
10	Needle roller bearing	IN SCE2	1	4
11	Screw 10 - 24 x 1/4	S 05006	2	4
12	Rigid arm	AR 1500	1	9
13	Screw 10 - 24 x 3/8	S 05009	2	4
14	Washer M 5 x 9	519301	4	4
15	Connection pin	AR 1560	1	9

**UN 1200 TRAY HOLDER ASSEMBLY
FOR UNIT PANDA PORCELAIN**

17

17



**UN 1200 TRAY HOLDER ASSEMBLY
FOR UNIT PANDA PORCELAIN
(Continued)**

17

17

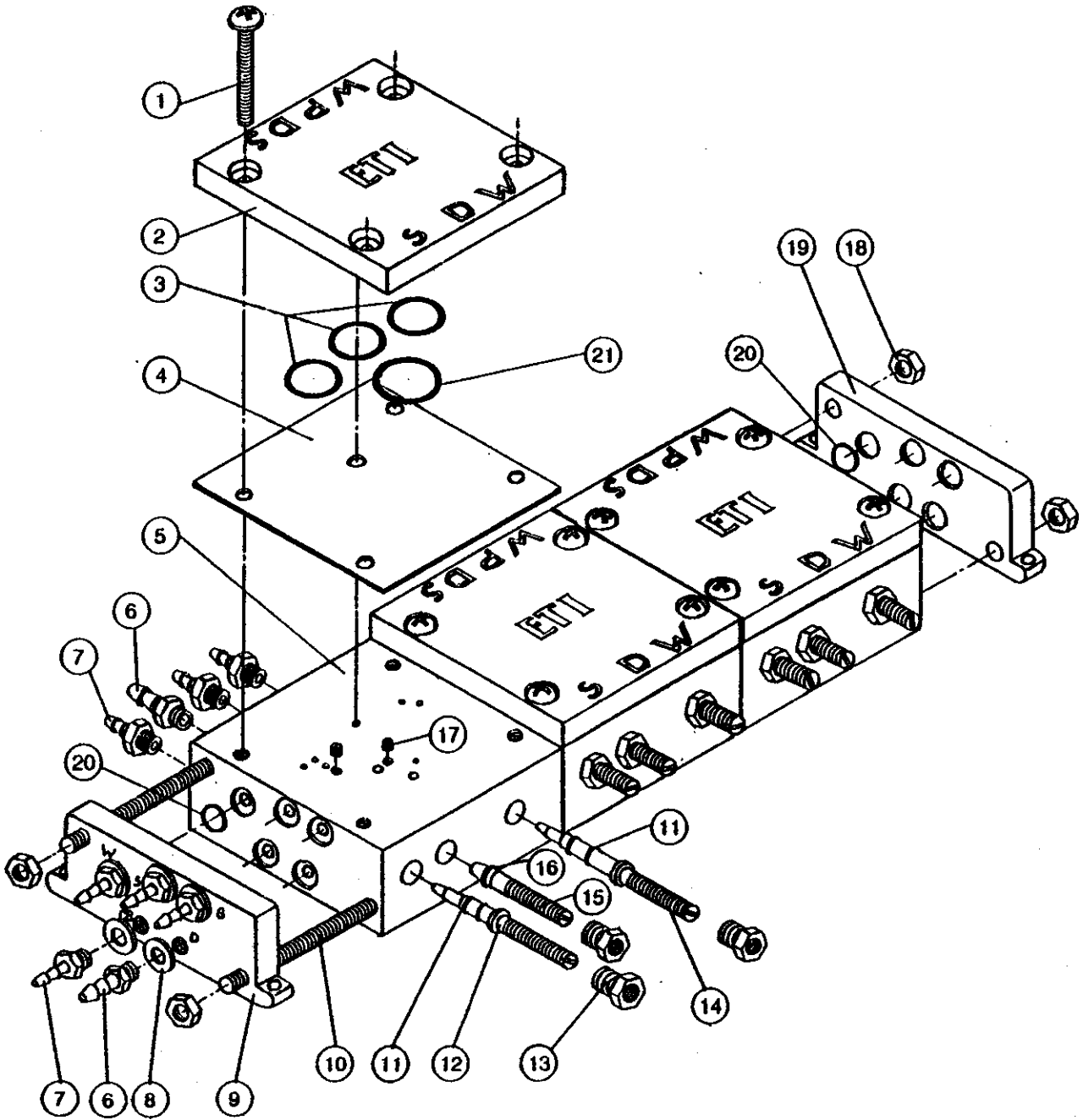
REF. NO.	DESCRIPTION	PART NO.	QTY.	CODE
1	Upper tray base normal	UN 1220	1	4
2	Tray holder normal	UN 1240	1	9
3	Screw 1/4 - 20 x 3/8 , SST	57340	4	4
4	Pin	UN 1260	1	4
5	Plastic washer	UN 1280	1	4
6	Plastic plug	UN 1300	1	9
7	Washer 7.3 x 24 x 1.6 mm, nylon white	UN 1320	1	4
8	Washer 5/16 x 3/4 x 1/16	1433	2	4
9	Spring lockwasher 1/4"	1370	1	4
10	Nut special	UN 1340	1	9
11	Screw 6 - 32 x 3/8	58024	3	4
12	Tray arm	UN 1360	1	9
13	Screw 10 - 32 x 1/4 , SST	59041	2	4
14	Screw 1/4 - 20 x 3/8 , nylon tip (HD)	58353	1	4
15	Plastic bushing	UN 1380	1	9
16	Pin	UN 1400	1	9
17	Screw 1/4 - 20 x 7/8 , SST	57044	1	4

UN 0401 CONTROL BLOCK ASSEMBLY, 3 HP

UN 0401 CONTROL BLOCK ASSEMBLY, 3 HP

18

18



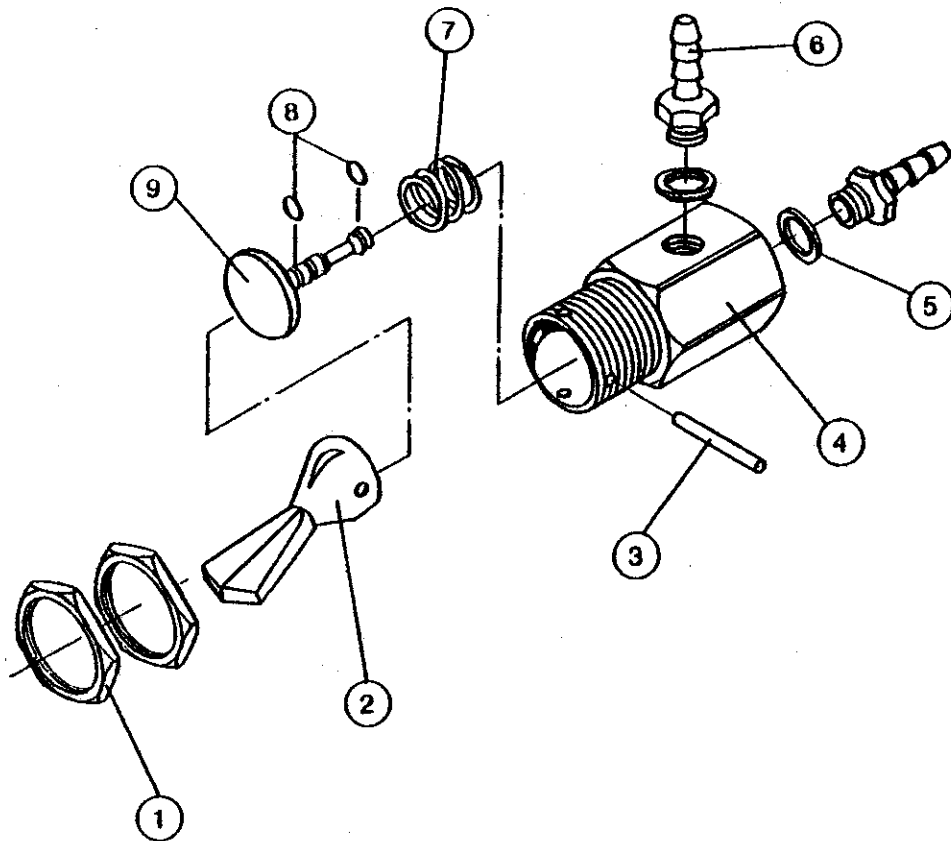
UN 0401 CONTROL BLOCK ASSEMBLY , 3 HP**(Continued)**

18

18

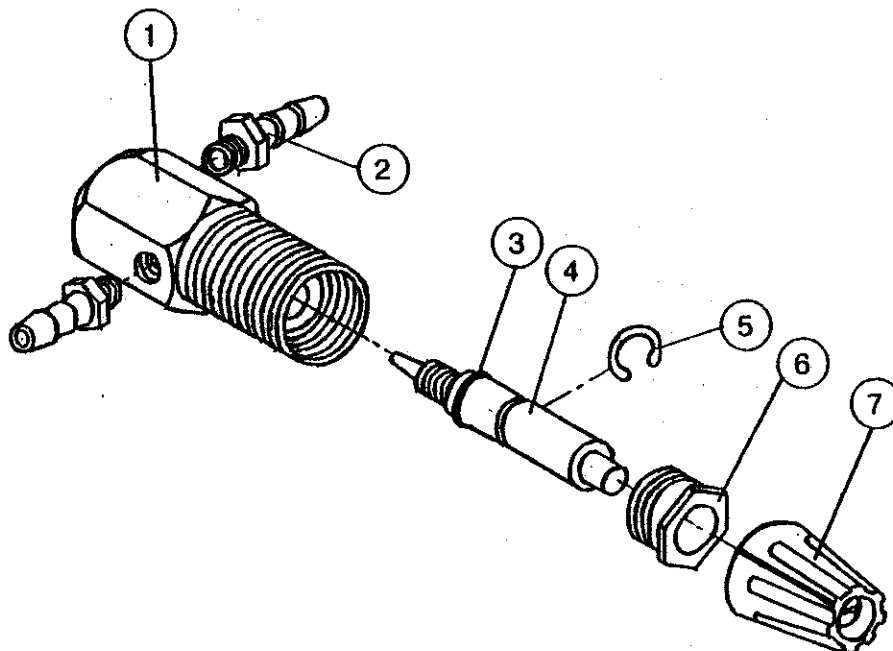
REF. NO.	DESCRIPTION	PART NO.	QTY.	CODE
1	Screw 6 - 32 x 7/8	19049	12	4
2	Pick - up	UN 0441	3	9
3	O - ring 9.25 ID x 1.78 W (mm.)	TC 2012	9	4
4	Diaphragm	UN 0461	3	4
5	Control block	UN 0421	3	9
6	Barb 1/8" x 10 - 32 , for 1/4" O.D.	DC 0188	3	4
7	Barb 1/16" x 10 - 32 , for 1/8" O.D.	DC 0187	13	4
8	Plastic washer 10 - 32	DC 0072	5	4
9	End cap No 1	UN 0481	1	9
10	Stud - bolt M4 , SST	UN 0501	2	4
11	O - ring 1.07 ID x 1.78 W (mm.)	TC 2002	12	4
12	Stem w/O - ring , Spray flow adjust	UN 0541	3	9
13	Stem nut	UN 0521	9	4
14	Stem w/O - ring , Water flow adjust	UN 0581	3	9
15	Stem w/O -ring ,Drive air flow adjust	UN 0561	3	9
16	O - ring 1.42 ID x 1.78 W (mm.)	TC 2003	1	4
17	Screw M3 x 3	UN 0591	6	4
18	Nut M4 , D=934 , SST	510802	4	4
19	End cap No 2	UN 0491	1	9
20	O - ring 2.90 ID x 1.78 W (mm.)	TC 2006	20	4
21	O - ring 14.00 ID x 1.78 W (mm.)	TC 2015	3	4

TOGGLE VALVE , 3 - WAY
DC 7015 - Black , DC 7016 - Gray



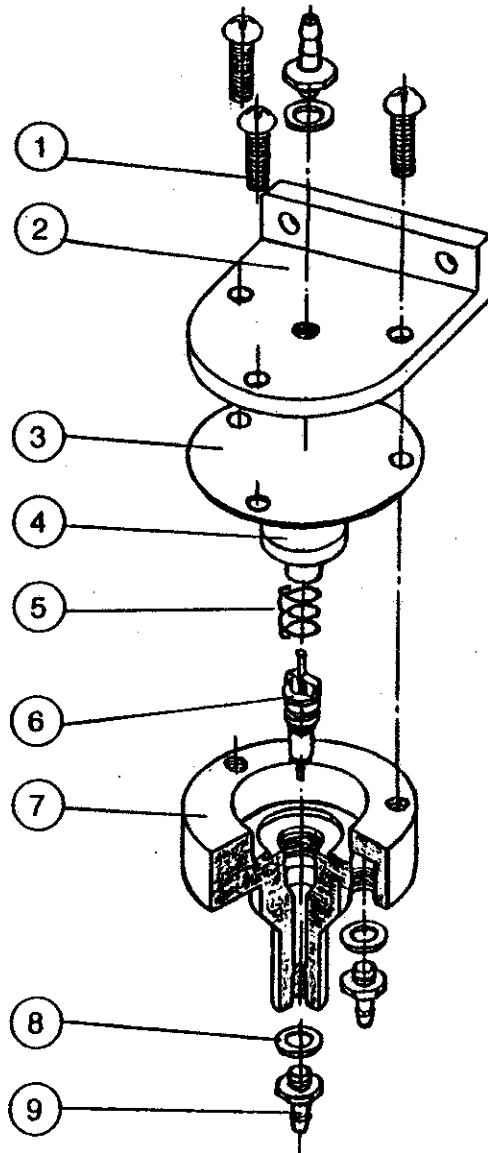
REF. NO.	DESCRIPTION	PART NO.	QTY.	CODE
1	Nut 15/32 - 32		2	4
2	Plastic lever , toggle valve - Black Gray	DC 7058 DC 7064	1	4
3	Pin, straight 0.062 dia x 0.430 long SST	DC 9033	1	4
4	Body toggle valve		1	4
5	Plastic washer 10 - 32	DC 0072	2	4
6	Barb 1/16 " x 10 - 32 , for 1/8" O.D.	DC 0187	2	4
7	Spring 0.300 O.D. x 0.400	DC 9030	1	4
8	O - ring	DC 2230	2	4
9	Stem , 3 - way	DC 9015	1	4

UN 0200 NEEDLE VALVE



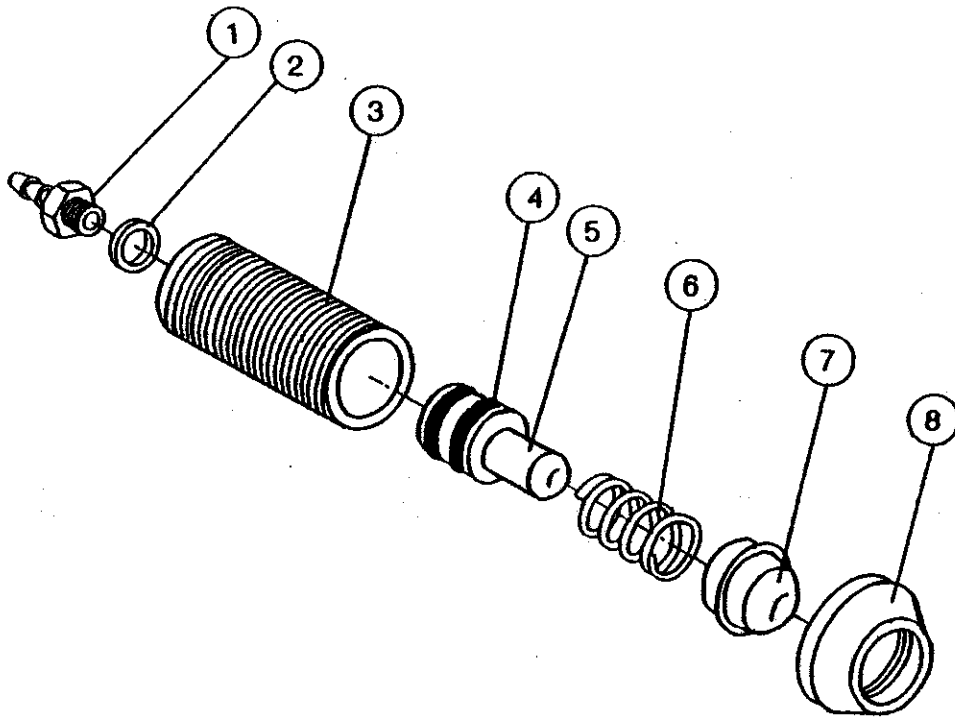
REF. NO.	DESCRIPTION	PART NO.	QTY.	CODE
1	Body needle valve	UN 0220	1	9
2	Barb 1/16" x 10 - 32 , for 1/8" O.D.	DC 0187	2	2
3	O - ring 2.90 ID x 1.78 W (mm.)	TC 2006	1	4
4	Stem needle valve w / O - ring	UN 0240	1	9
5	Retaining ring , external 1/4 ID, SST	WT 5103	1	4
6	Stopper nut	CU 1790	1	4
7	Knob for needle valve D 10 Black , Red dot Blue dot Gray , Red dot Blue dot	EL 8185 EL 8186 EL 5185 EL 5186	1	4

UN 0740 WATER RELAY



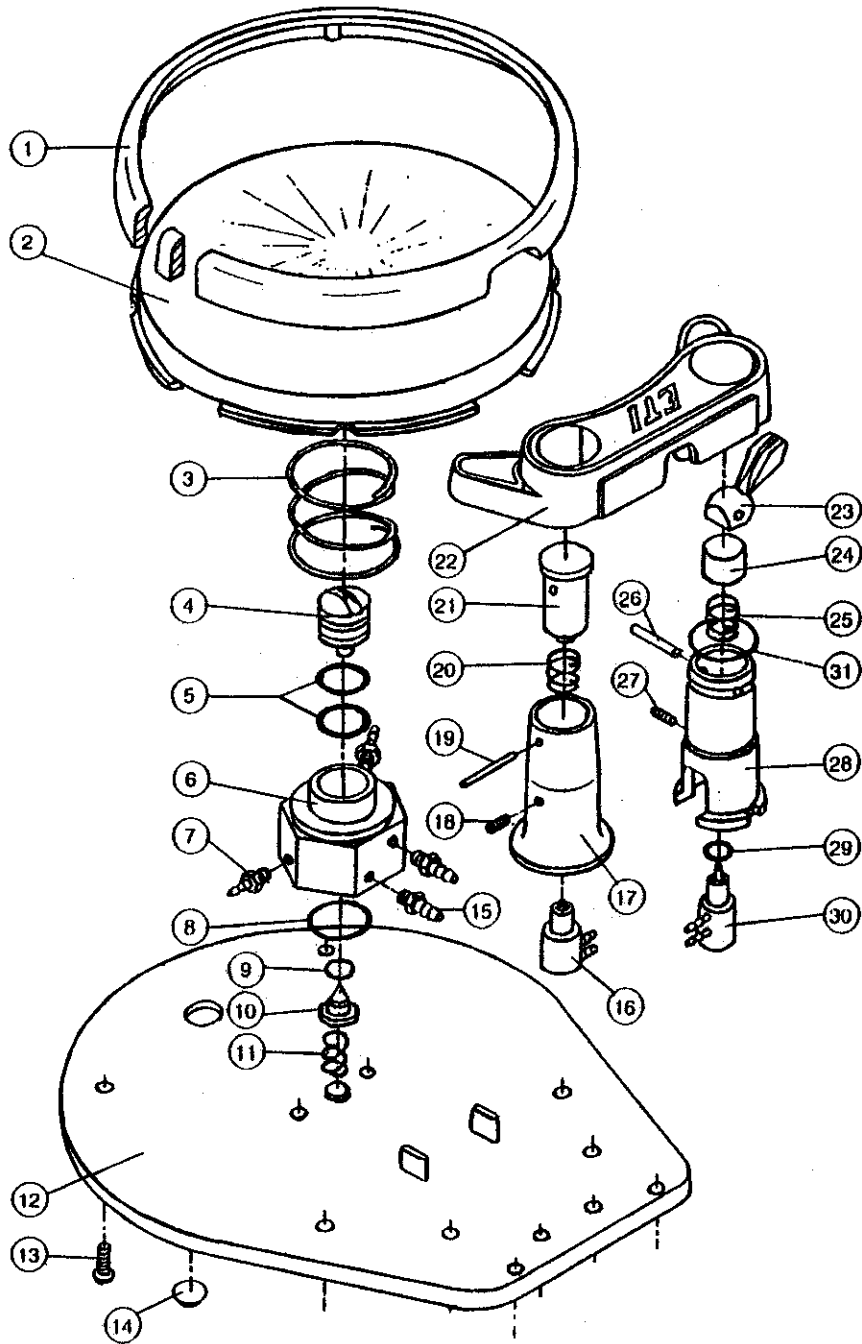
REF. NO.	DESCRIPTION	PART NO.	QTY.	CODE
1	Screw 6 - 32 x 5/8	19047	3	4
2	Plastic lid	UN 0760	1	9
3	Diaphragm	UN 0780	1	3
4	Plastic actuator	UN 0800	1	9
5	Spring , SST	UN 0820	1	4
6	Valve core - ventl	TT 0987	1	3
7	Body water relay	UN 0840	1	9
8	Plastic washer 10 - 32	DC 0072	3	4
9	Barb 1/16 " x 10 - 32 , for 1/8" O.D.	DC 0187	3	4

UN 0300 AIR INDICATOR LIGHT



REF. NO.	DESCRIPTION	PART NO.	QTY.	CODE
1	Barb 1/16 " x 10 - 32 , for 1/8" O.D.	DC 0187	1	4
2	Plastic washer 10 - 32	DC 0072	1	4
3	Body , indicator light	UN 0320	1	9
4	O - ring 5.28 ID x 1.78 W (mm.)	TC 2009	2	4
5	Plunger , indicator light	UN 0340	1	9
6	Spring	UN 0360	1	4
7	Lenz , indicator light	UN 0380	1	4
8	Bezel , indicator light	UN 0390	1	9

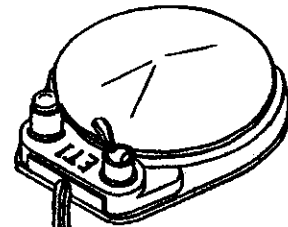
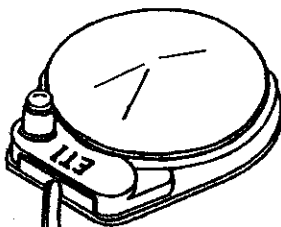
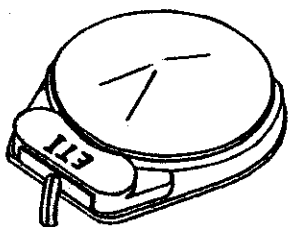
FOOT CONTROL
FC 1000 Standard
FC 2000 With chip blower
FC 2100 With chip blower and toggle On/Off water



FC 1000

FC 2000

FC 2100



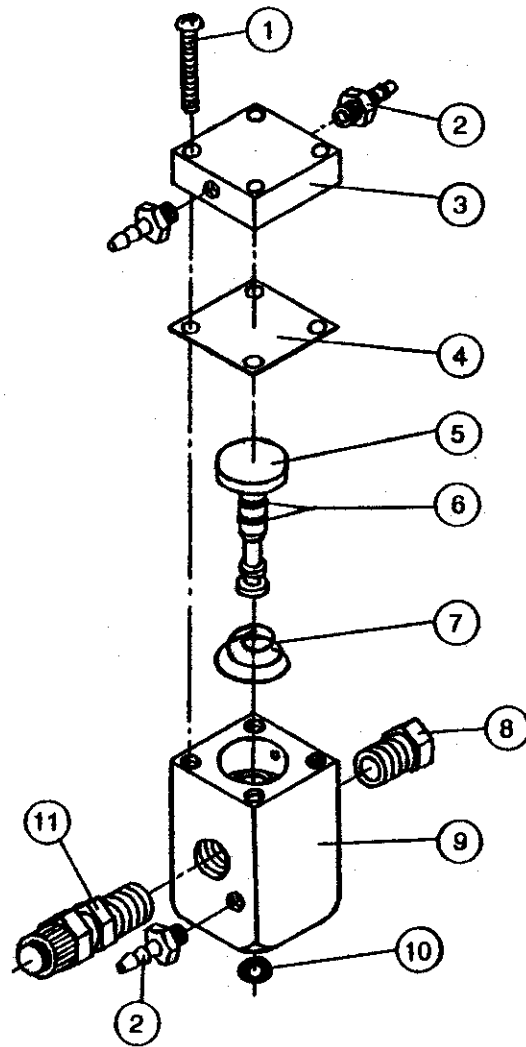
24

24

FOOT CONTROL
FC 1000 Standard
FC 2000 With chip blower
FC 2100 With chip blower and toggle On/Off water
(Continued)

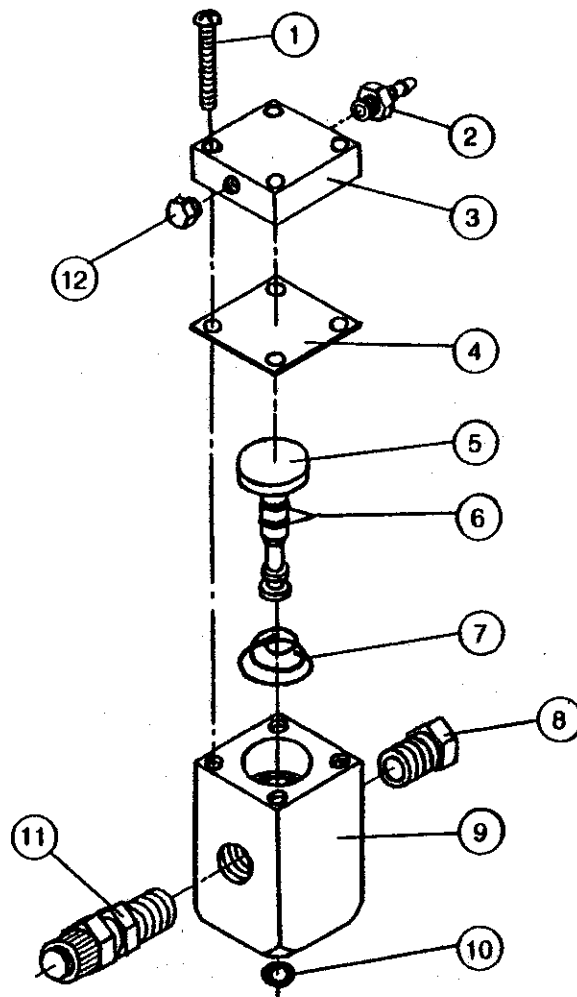
REF. NO.	DESCRIPTION	PART NO.	QTY.	CODE
1	Ring	FC 0040	1	9
2	Cover, foot control	FC 0060	1	9
3	Spring, helical compression	FC 0080	1	4
4	Actuator	FC 0100	1	9
5	O - ring 10.82 ID x 1.78 W (mm)	TC 2013	2	4
6	Body	FC 0120	1	9
7	Barb 1/16" x 10 - 32, for 1/8" O.D.	DC 0187	1	4
8	O - ring 15.60 ID x 1.78 W (mm)	TC 2016	1	4
9	O - ring 3.68 ID x 1.78 W (mm)	TC 2007	1	4
10	Poppet	FC 0140	1	9
11	Spring	UN 0360	1	4
12	Base plate	FC 0020	1	9
13	Screw 6 - 32 x 3/8	19044	12	4
14	Bumpon O - ring SJ 5003, Black	M 18425	10	4
15	Barb 1/8" x 10 - 32, for 1/4" O.D.	DC 0188	2	4
16	Clippard UCSMAV3	AE 001	1	4
17	Chip blower house	FC 0180	1	9
18	Screw 6 - 32 x 1/4, SST	59022	1	4
19	Pin, straight ϕ 2.1 x 18 (mm)	FC 0220	1	9
20	Chip blower spring	FC 0240	1	4
21	Chip blower touch button	FC 0200	1	9
22	Housing for FC 2100	FC 0280	1	9
	Housing for FC 2000	FC 0260		
	Housing for FC 1000	FC 0160		
23	Toggle lever	DC 6049	1	4
24	Plastic poppet	DC 6054	1	4
25	Toggle spring	DC 6036	1	4
26	Pin ϕ 3.17 x 16 (mm)	DC 0911	1	4
27	Screw 6 - 32 x 3/16	DC 9789	1	4
28	Toggle body	DC 6048	1	4
29	O - ring	DC	1	4
30	Toggle valve 3 - way, F.C.	DC 6004	1	4
31	O - ring	DC 2228	1	4

JB 0300 FLOOR AIR VALVE



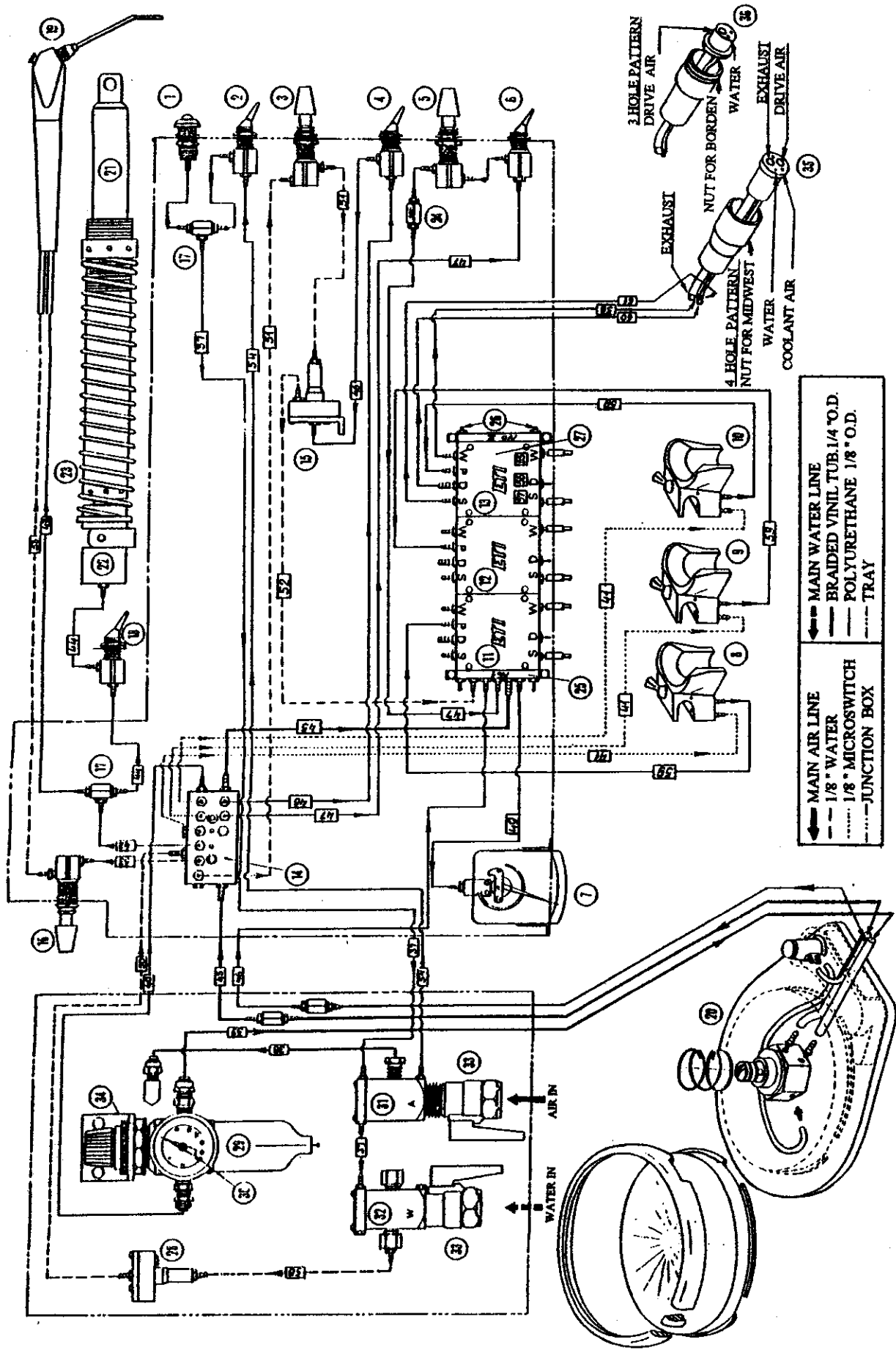
REF. NO.	DESCRIPTION	PART NO.	QTY.	CODE
1	Screw 6 - 32 x 5/8 , SST	23047	4	4
2	Barb 1/16 " x 10 - 32 , for 1/8 " O.D.	DC 0187	3	4
3	Pick up , floor valve	JB 0260	1	9
4	Diaphragm , floor valve	JB 0270	1	4
5	Stem , floor valve	JB 0240	1	9
6	O - ring 2.90 I.D. x 1.78 W (mm.)	TC 2006	2	4
7	Conical spring 17.5 O.D. x 10.0 (mm.)	JB 0280	1	4
8	Hex plug , 1/8 MPT	DC 0097	1	4
9	Body , floor air valve	JB 0320	1	9
10	O - ring 2.84 I.D. x 2.62 W (mm.)	TC 2104	1	4
11	Poly connector 1/4 x 1/8 MPT	DC 0053	1	4

JB 0200 FLOOR WATER VALVE



REF. NO.	DESCRIPTION	PART NO.	QTY.	CODE
1	Screw 6 - 32 x 5/8 , SST	23047	4	4
2	Barb 1/16 " x 10 - 32 , for 1/8 " O.D.	DC 0187	3	4
3	Pick up , floor valve	JB 0260	1	9
4	Diafragma , floor valve	JB 0270	1	4
5	Stem , floor valve	JB 0240	1	9
6	O - ring 2.90 I.D. x 1.78 W (mm.)	TC 2006	2	4
7	Conical spring 17.5 O.D. x 10.0 (mm.)	JB 0280	1	4
8	Hex plug , 1/8 MPT	DC 0097	1	4
9	Body , floor water valve	JB 0220	1	9
10	O - ring 2.84 I.D. x 2.62 W (mm.)	TC 2104	1	4
11	Poly connector 1/4 x 1/8 MPT	DC 0053	1	4
12	Hex head plug 10 - 32	DC 0189	1	4

ET 010S UNIT PANDA PORCELAIN 3 HP. SCHEMA



27

27

ET 010S UNIT PANDA PORCELAIN 3 HP. SCHEMA

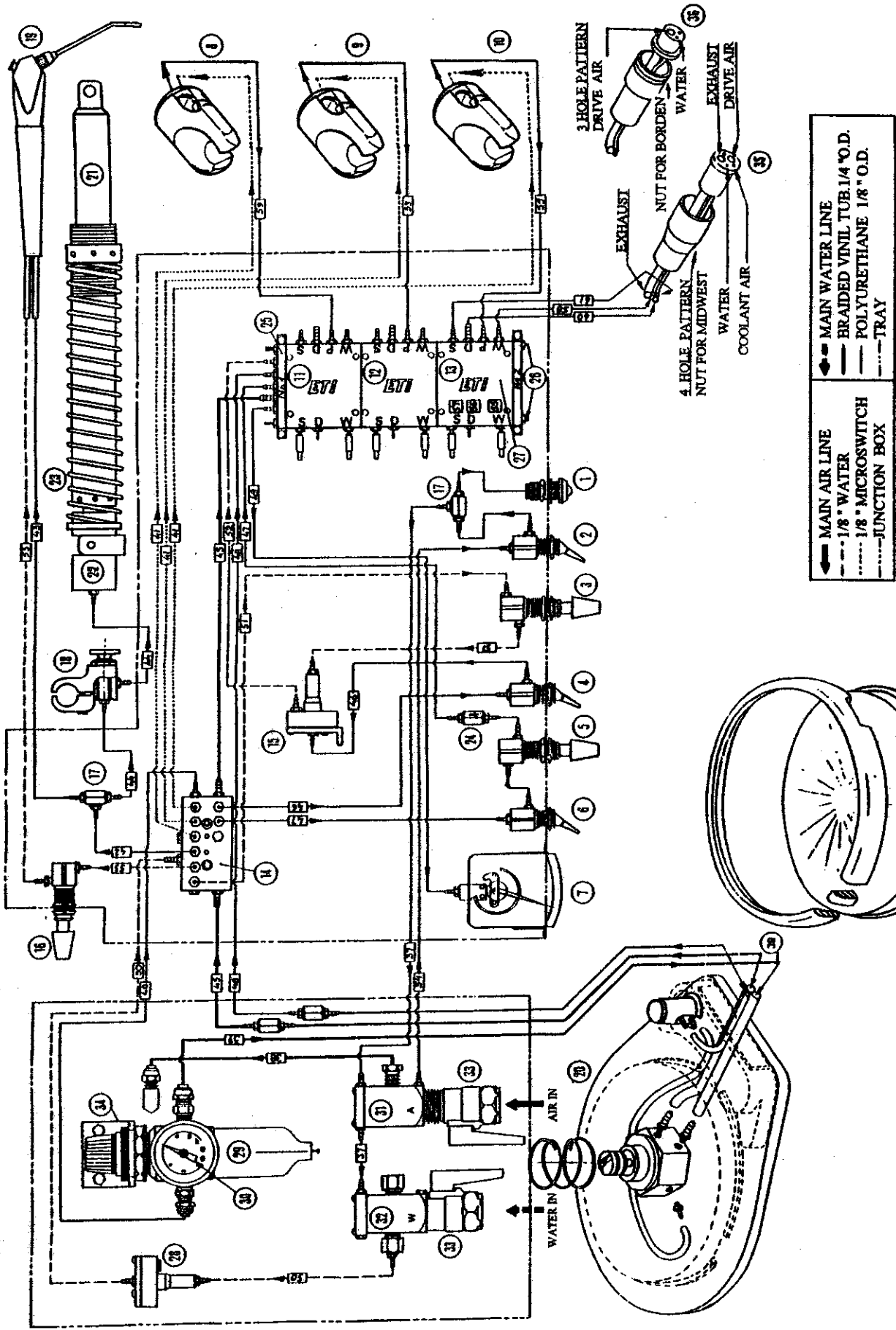
(Continued)

REF. NO.	DESCRIPTION	PART NO.	REF. NO.	DESCRIPTION
1	Air indicator light	UN 0300	37	Air return from toggle - master
2	Toggle valve , gray , master on - off	DC 7016	38	Air to regulator
3	Needle valve , water adjustment	UN 0200	39	Air to foot control
4	Toggle valve , gray , air on - off for water relay	DC 7016	40	Air to connector assembly
5	Needle valve , air flow adjustment	UN 0200	41	Air to automatic handpiece holder
6	Toggle valve , gray , air on - off spray	DC 7016	42	Air to tee
7	Rectangular pressure gauge , 60 PSI	DC 7270	43	Air to syringe
8	Automatic handpiece holder No 1,gray	DC 5960	44	Air to on - off piston
9	Automatic handpiece holder No 2,gray	DC 5960	45	Air to control block from foot control
10	Automatic handpiece holder No 3,gray	DC 5960	46	Air to water relay command
11	Control block No 1	UN 0611	47	Air spray
12	Control block No 2	UN 0621	48	Air spray to block from chip blower
13	Control block No 3	UN 0631	49	Air to rectangular pressure gauge
14	Connector assembly	UN 0180	50	Water to water filter
15	Water relay	UN 0740	51	Water water relay
16	Needle valve , water adjustment for syringe	UN 0200	52	Water to block from water relay
17	Tee 1/8 " O.D. tubing	UN 0920	53	Water to syringe
18	Toggle valve , gray , air on - off for piston spring activator	DC 7016	54	Air to toggle - master
19	Syringe	DC	55	Water adjustment
20	Foot control with chip blower	FC 2000	56	Drive pressure adjustment
21	Gas piston	RA 0516	57	Air spray adjustment
22	Piston - spring activator	AR 1381	58	Water to turbine
23	Piston spring	AR 1301	59	Air command to pick - up
24	Check valve 1/8 " O.D. tubing	UN 0940	60	Drive to turbine
25	End cap No 1	UN 0481	61	Air spray to turbine
26	Stud - bolt M4 , SST	UN 0501		
27	Pic - up	UN 0441		
28	Water filter	JB 0100		
29	Air filter miniature for regulator	WI F002		
30	Air gauge	WI G227		
31	Floor air valve	JB 0300		
32	Floor water valve	JB 0200		
33	Manual ball valve SA 1/2 "	SA 8000		
34	Air regulator 0 - 125 PSI	WI R001		
35	Adapter m/w , PUR	COA 12		
36	Adapter - borden	COA 36		

27

27

ET 011S UNIT PANDA STANDARD 3 HP. SCHEMA



27

27

ET 011S UNIT PANDA STANDARD 3 HP. SCHEMA

(Continued)

REF. NO.	DESCRIPTION	PART NO.	REF. NO.	DESCRIPTION
1	Air indicator light	UN 0300	37	Air return from toggle - master
2	Toggle valve , gray , master on - off	DC 7016	38	Air to regulator
3	Needle valve , water adjustment	UN 0200	39	Air to foot control
4	Toggle valve , gray , air on - off for water relay	DC 7016	40	Air to connector assembly
5	Needle valve , air flow adjustment	UN 0200	41	Air to automatic handpiece holder
6	Toggle valve , gray , air on - off spray	DC 7016	42	Air to tee
7	Rectangular pressure gauge , 60 PSI	DC 7270	43	Air to syringe
8	Automatic handpiece holder No 1,gray	DC 4561	44	Air to on - off piston
9	Automatic handpiece holder No 2,gray	DC 4561	45	Air to control block from foot control
10	Automatic handpiece holder No 3,gray	DC 4561	46	Air to water relay command
11	Control block No 1	UN 0611	47	Air spray
12	Control block No 2	UN 0621	48	Air spray to block from chip blower
13	Control block No 3	UN 0631	49	Air to rectangular pressure gauge
14	Connector assembly	UN 0180	50	Water to water filter
15	Water relay	UN 0740	51	Water water relay
16	Needle valve , water adjustment for syringe	UN 0200	52	Water to block from water relay
17	Tee 1/8 " O.D. tubing	UN 0920	53	Water to syringe
18	Push button momentary valve on - off	UN 0900	54	Air to toggle - master
19	Syringe	DC	55	Water adjustment
20	Foot control with chip blower	FC 2000	56	Drive pressure adjustment
21	Gas piston	RA 0516	57	Air spray adjustment
22	Piston - spring activator	AR 1381	58	Water to turbine
23	Piston spring	AR 1301	59	Air command to pick - up
24	Check valve 1/8 " O.D. tubing	UN 0940	60	Drive to turbine
25	End cap No 1	UN 0481	61	Air spray to turbine
26	Stud - bolt M4 , SST	UN 0501		
27	Pic - up	UN 0441		
28	Water filter	JB 0100		
29	Air filter miniature for regulator	WI F002		
30	Air gauge	WI G227		
31	Floor air valve	JB 0300		
32	Floor water valve	JB 0200		
33	Manual ball valve SA 1/2 "	SA 8000		
34	Air regulator 0 - 125 PSI	WI R001		
35	Adapter m/w , PUR	COA 12		
36	Adapter - borden	COA 36		

27

27